

**Features**

- ✧ Electronically addressed. The address can be modified in field.
- ✧ Built-in microprocessor processes messages intelligently.
- ✧ Output cable checking.
- ✧ Small size, installed in back box.

**Description**

I-9301S Addressable Output Interface is designed to control output activation of fire devices. With a microprocessor, the interface can communicate with fire alarm control panel (FACP), monitor output circuit (check fault), control output.

The interface outputs 24V voltage when receiving start command from FACP.

**Connection and Cabling**

Z+, Z-: Connecting with the loop of the FACP, polarity-insensitive. Z+ is white and Z- is blue.

V+, G: Connecting with 24V power, polarity-sensitive. V+ is red and G is black.

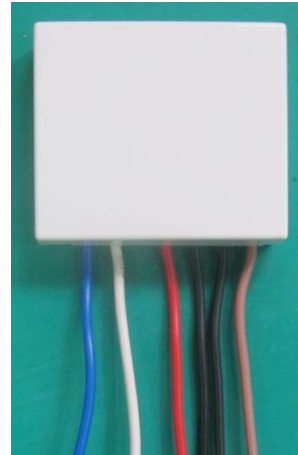
O+, O-: Connecting with controlled device and transmitting 24V DC signal to the controlled device to output voltage 24VDC. O+ is brown, O- is black. Polarity-insensitive. 20k internal resistance exists when it is not activated and disappears when it is activated.

**Recommended Cabling**

1.0mm<sup>2</sup> or above fire cable for Z+, Z-. 1.5mm<sup>2</sup> or above fire cable for others. Subject to local codes.

**Installation**

The module is small-sized module, simply installed onto the back box of controlled device.



**Application**

The interface is designed to connect with devices controlled by FACP, including sounder strobes.

Address can be set through GST programmer in field, refer to *P-9910B Hand Held Programmer Installation and Operation Manual* for specific operation.

- ✧ The interface can directly drive a controlled device. System connection is shown in Fig. 1.

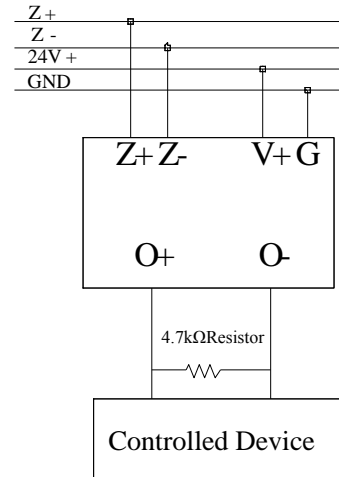


Fig. 1

## Specification

Operating Voltage	Loop: 24V (16V~28V) Power: 24VDC (20VDC~28VDC)
Standby Current	Loop $\leq$ 1mA Power $\leq$ 1.5mA
Action Current	Loop $\leq$ 4mA
Output Capacity	24VDC/0.5A
Programming Method	Electronically addressed
Code Range	One address within 1~242.
Ingress Protection Rating	IP30
Operating Temperature	-20°C~+55°C
Relative Humidity	$\leq$ 95%, non condensing
Dimension	50mm $\times$ 44mm $\times$ 17mm

## Accessories and Tools

Model	Name	Remark
P-9910B	Hand Held Programmer	Order separately

## Limited Warranty

**GST** warrants that the product will be free of charge for repairing or replacing from defects in design, materials and workmanship during the warranty period. This warranty shall not apply to any product that is found to have been improperly installed or used in any way not in accordance with the instructions supplied with the product. Anybody, including the agents, distributors or employees, is not in the position to amend the contents of this warranty. Please contact your local distributor for products not covered by this warranty.

This Data Sheet is subject to change without notice. Please contact GST for more information or questions.

### **Gulf Security Technology Co., Ltd.**

No. 80, Changjiang East Road, QETDZ, Qinhuangdao, Hebei, P. R. China 066004

Tel: +86 (0) 335 8502434 Fax: +86 (0) 335 8502532

[service.gst@fs.utc.com](mailto:service.gst@fs.utc.com) [www.gst.com.cn](http://www.gst.com.cn)